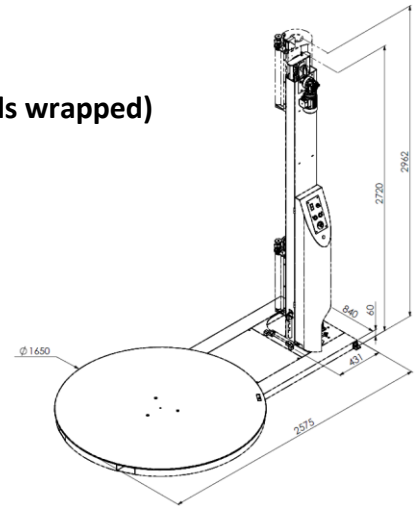


TECHNICAL DATA / ROLLE 8

Capacity:	15-25 pallets/hour (depending on goods wrapped)
Max wrapping height:	2600 mm
Min wrapping height:	30 mm
Rotation speed:	1-11 rpm
Power supply:	220-230 volts/50Hz/0.8kW/16A
Machine weight:	360kg
Max pallet dimensions:	1000x1200x2600mm (1200kg)


Allowed operating conditions:
Temperature +5C° +40C° at max relative humidity of 76%
Short description:
Machine should be fixed to the floor.
