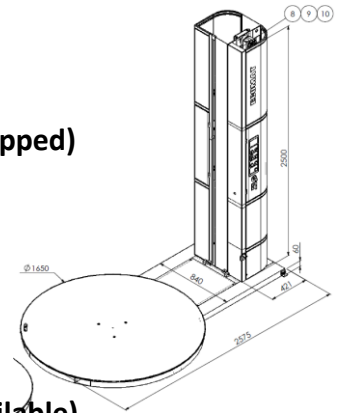


TECHNICAL DATA / ECOMAT PLUS

Capacity:	15-25 pallets/hour (depending on goods wrapped)
Max wrapping height:	2400 mm
Min wrapping height:	60 mm
Rotation speed:	1-11 rpm
Power supply:	220-230 volts/50Hz/1.0kW/16A
Machine weight:	460kg
Max pallet dimensions:	1000x1200x2400mm (2000kg)
Pre-Stretch Level:	230% Standard (300%, 275%, 150%, 80% available)



Allowed operating conditions:

Temperature +5C° +40C° at max relative humidity of 76%

Short description:

Solid construction and 15 wrapping programs to be stored. Three different wrapping methods available. Power pre-stretch system with film easy load concept. Machine should be fixed to the floor.

